

LX05 (EEC L1e-B)



COC



Color

Specifications

MODEL

LX05 (EECL1e-B)

DIMENSION (L*W*H)

1890*720*1110MM

WHEELBASE

1360MM

MOTOR

3.0 KW **BOSCH** MOTOR

BATTERY

2* 60V26AH **SAMSUNG** LITHIUM BATTERY (PORTABLE)

TYRE SIZE

90/90-12" TUBELESS

BRAKE

FRONT & REAR DISC BRAKE

MAX.SPEED

45 KM/H

MAX.RANGE

75 - 150 KM

MAX.LOADING

150 KG

SLOPE HILL-ABILITY

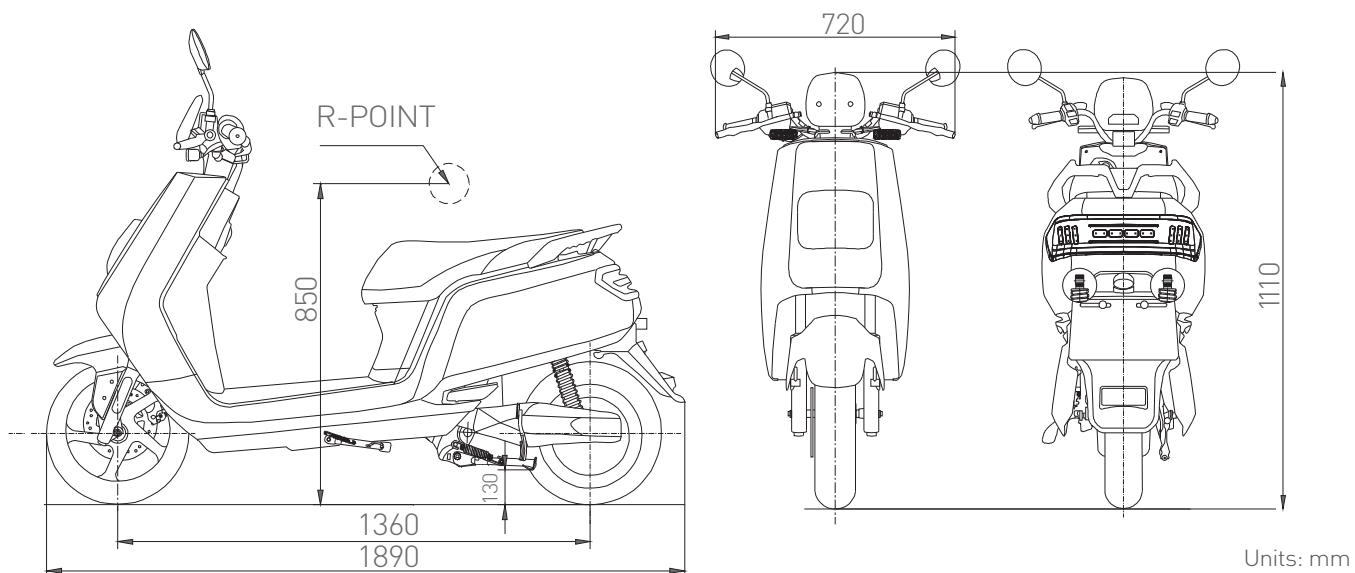
13° (25%)

PACKING SIZE

1920*630*1270MM

CONTAINER LOADING

9 PCS/20'GP; 36 PCS/40'HQ



LX05 (EECL1e-B)